

E85 E85^{ARTI} — SPECIFICATIONS

E85

E85^{ARTI}

WORKING RANGE E85

All dimensions in mm. Short/long arm.

WEIGHTS

with ROPS cab , rubber tracks, standard dipperstick, standard bucket (SAE J732):	8540 kg	9035 kg
weight with heavy counterweight	8940 kg	-
Additional weight for long dipperstick	60 kg	-
Ground pressure with rubber tracks	0.39 kg/cm ²	0.39 kg/cm ²

ENGINE

Make/Model	Yanmar/4TNV98C	Yanmar/4TNV98C
Fuel/Cooling	Diesel/Liquid	Diesel/Liquid
Number of cylinders	4	4
Displacement	3319 cm ³	3319 cm ³
Maximum power at 2200 RPM (DIN 6271)	-	-
Maximum power at 2100 RPM (DIN 6271)	44.3 kW	44.3 kW

PERFORMANCE

Digging force, dipperstick (ISO 6015)	4.25 ton	4.25 ton
Digging force, long dipperstick (ISO 6015)	3.57 ton	-
Digging force, bucket (ISO 6015)	5.8 ton	5.2 ton
Drawbar pull	64.7 kN	64.7 kN
Travel speed, low range	2.7 km/h	2.7 km/h
Travel speed, high range	4.7 km/h	4.7 km/h

HYDRAULIC SYSTEM

Pump type	One engine-driven tandem axial piston pump and one engine-driven gear pump	
Pump capacity	151.00 L/min	151.00 L/min
Auxiliary flow	95.00 L/min	95.00 L/min
System relief pressure for auxiliary circuits	250.00 bar	250.00 bar

SLEW SYSTEM

Boom swing, left	70°	70°
Boom swing, right	55°	55°
Slew rate	9.5 RPM	9.5 RPM

FLUID CAPACITIES

Cooling system	10.0 L	10.0 L
Engine lubrication plus oil filter	10.2 L	10.2 L
Fuel reservoir	110.00 L	110.00 L
Hydraulic system	148.00 L	148.00 L

ENVIRONMENTAL

Noise level LpA(EU Directive 2000/14/EC)	71 dB(A)	71 dB(A)
Noise level LWA(EU Directive 2000/14/EC)	98 dB(A)	98 dB(A)
Whole body vibration (ISO 2631-1)	0.32 ms ⁻²	0.32 ms ⁻²
Hand-arm vibration (ISO 5349-1)	0.82 ms ⁻²	0.82 ms ⁻²

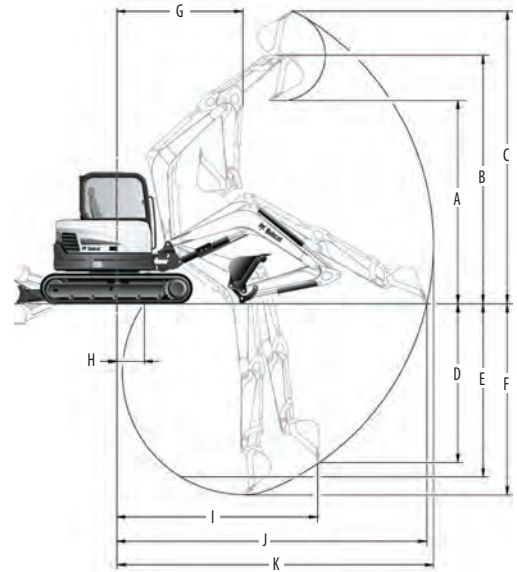
STANDARD FEATURES E85

2300 mm dozer blade	TOPS/ROPS cab*
450 mm rubber track	Boom & arm safety valves
5.7 inch LCD screen	Harness for rotating beacon
Engine/hydraulic monitor with shutdown	Fully adjustable air conditioning
Fingertip auxiliary hydraulic control	Overload warning device
Control console locks	Sun visor
Hydraulic joystick controls	Left rear view mirror
Two-speed travel	Electric refueling pump
Lockable storage compartment	Auto idle
Horn	Auto shift travel
Work lights	Auxiliary hydraulics (1st and 2nd circuits)
Retractable seat belt	Auxiliary line on arm with quick couplers
Suspension seat with high back	Warranty: 12 months, 2000 hours (whichever occurs first)
Travel motion alarm	

OPTIONS

Steel tracks	Long dipperstick
Third auxiliary hydraulic line (Clamshell Piping)	

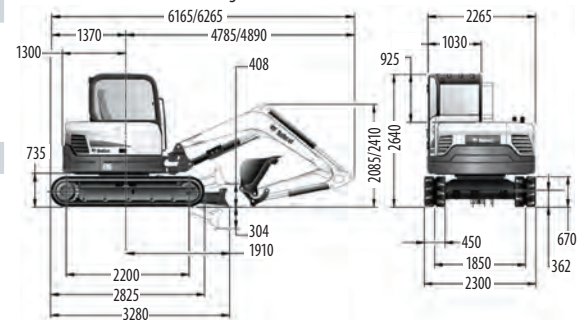
* Tip Over Protective Structure (TOPS) – Meets requirements of ISO 12117



	E85	E85 ^{ARTI}
A	4645 / 4995	5365
B	5655 / 6005	6373
C	6630 / 6980	7380
D	3245 / 3755	3550
E	3815 / 4420	3925
F	4175 / 4725	4100
G	2550 / 2635	2655
H	580 / 55	490
I	4730 / 4905	4530
J	6765 / 7295	7035
K	6915 / 7430	7180

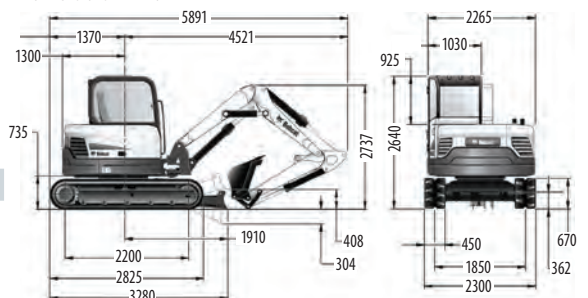
DIMENSIONS E85

All dimensions in mm. Short/long arm.



DIMENSIONS E85^{ARTI}

All dimensions in mm.



Bobcat®

www.bobcat.eu

Specifications and design are subject to change without notice. Pictures of Bobcat products may show other than standard equipment.